

# THE mirza

## The **HOME SALON** Bracket



Hair Dryers



Straighteners



Clippers

### Built **TO LAST**

The **MIRZA** hair dryer holder has been designed in durable plastic with a chrome finish for the modern salon, protecting counter tops from burning or breakage with the ability to hold hot hair straighteners, hot hair dryers and nozzles.

The holder can be fixed to the wall with screws or wall mounted with just two simple velcro attachments. For use in your hair salon or at home.



*Safely store  
your hair  
appliances.*

**BUY ONLINE  
TODAY FOR  
A SAFER  
HOME OR  
SALON.**

[www.themirza.com](http://www.themirza.com)

*ONLY*  
**\$45.00**  
Order online today!

# THE mirza

## A HOW TO Quick Installation Guide



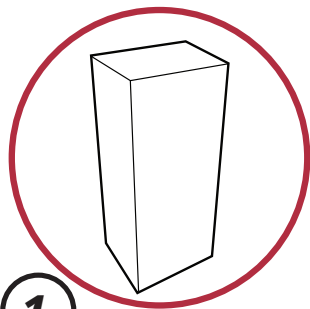
Hair Dryers



Straighteners



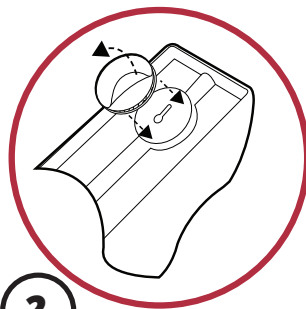
Clippers



1.

### STEP ONE.

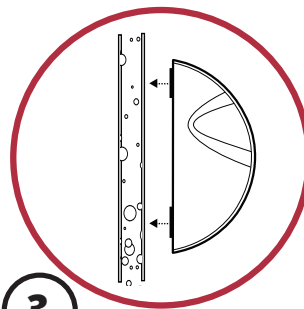
First check the contents of the box. You will only need the mirza unit and the velcro pads for this installation.



2.

### STEP TWO.

Peel the backing from the two pads and secure them firmly to the mirza unit back plate covering the two screw fixing holes.

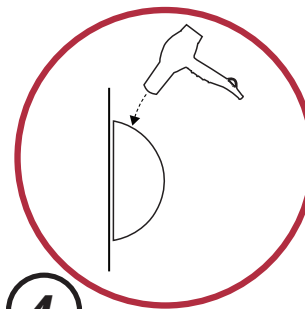


3.

### STEP THREE.

Press the unit firmly against the surface you wish to secure the mirza to. Make sure it is level.

**NOTE:** Once stuck to the wall the velcro pads adhere strongly.



4.

### SUCCESS!

Now the unit is on the wall you can safely add your items to the mirza.